



**PROLINE**  
Dynamic hoods  
H=380mm and 530mm



VENTILATION OF PROFESSIONAL KITCHENS, A SPECIALIST AFFAIR.

# PROLINE DYNAMIC

## DESIGN / MANUFACTURE

The **PROLINE range is single-block**.

There are no visible fixings on the outer faces.

**PROLINE hoods are available in 2 heights and 2 models:**

**PROLINE 38T:**

extractor height 380 / front face height = 230mm

**PROLINE 38R:**

extractor height 380 / front face height = 380mm

**PROLINE 53T:**

extractor height 530 / front face height = 380mm

**PROLINE 53R:**

extractor height 530 / front face height = 530mm

The production method used, with folds on all visible parts, gives a finish that is free of burrs and protruding parts.

All visible parts are made from austenitic stainless steel, brushed finish 220 grade on one side, with protective PVC on the exterior face.

The sides are assembled using heat-welded pins and nuts.

**Mesh filters** 398x498x25mm with stainless steel frame and handle, galvanised medium (flow of 1100m<sup>3</sup>/h per filter). **Optionally, full stainless steel filters** (flow of 1100m<sup>3</sup>/h per filter), **baffle filters** (flow of 600m<sup>3</sup>/h per filter) or **HE filter** (flow of 500 m<sup>3</sup>/h). Stainless steel 398x498x25mm neutral plates.

**Each single block unit is leak tight** and fitted with a G3/8 stainless steel purge plug in its lower part to drain off grease and condensates.

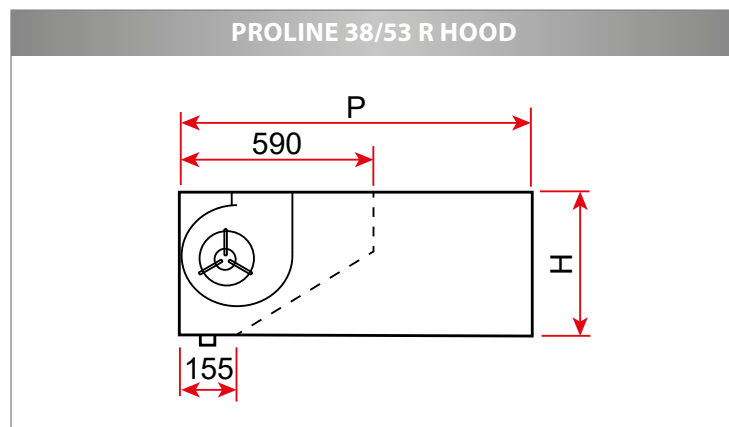
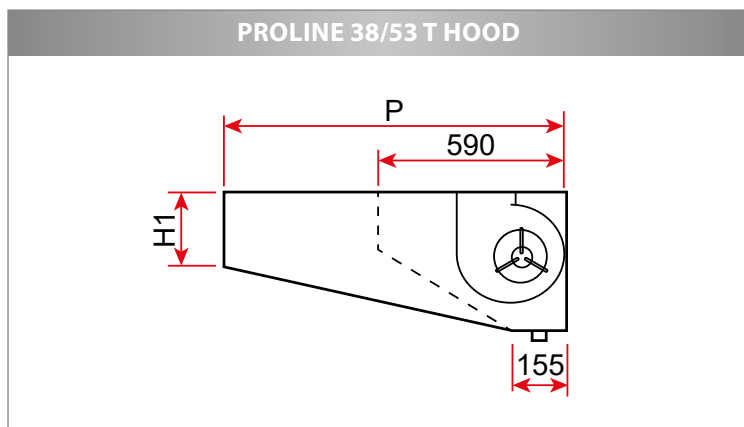
Dynamic hoods are fitted with **direct drive motor-fans, compliant with the ErP 2015 directive**.

**Easily removable**, the motor-fan is fixed using heat-welded pins and brackets.

**Fan position:** mounted in the upper central position.

*Note: To obtain correct efficiency, we recommend not exceeding a length of 3000mm.*

## DIMENSIONS / WEIGHT



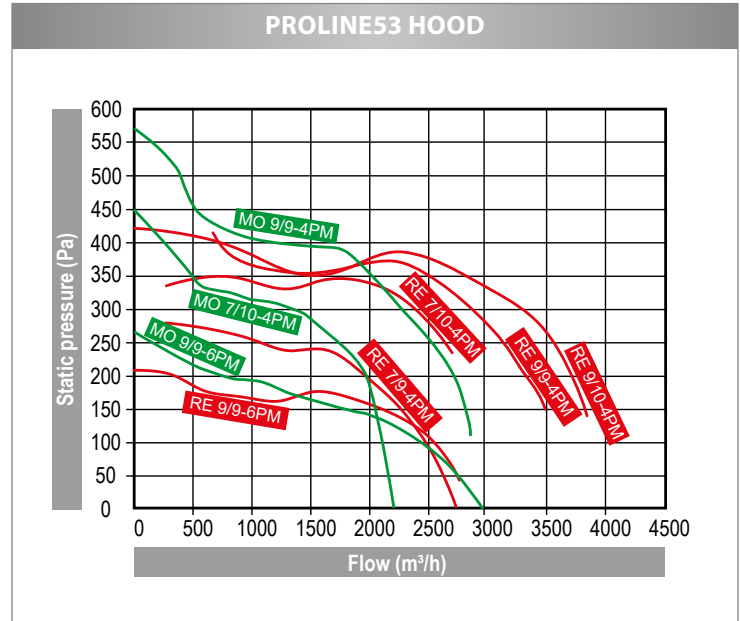
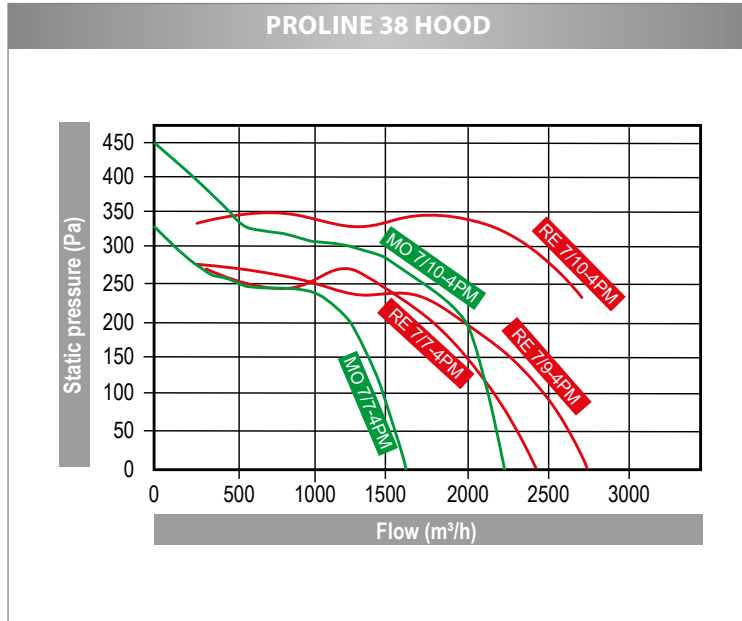
PROLINE 38										
Model	07		09		11		13		15	
	R	T	R	T	R	T	R	T	R	T
H (mm)	-	-	380	380	380	380	380	380	380	380
H1 (mm)	-	-	-	230	-	230	-	230	-	230
D (mm)	-	-	915		1120		1240		1445	
Weight* (kg/m)	-	-	30	29	33	32	35	34	38	37
PROLINE 53										
Model	07		09		11		13		15	
	R	T	R	T	R	T	R	T	R	T
H (mm)	-	530	530	530	530	530	530	530	530	530
H1 (mm)	-	380	-	380	-	380	-	380	-	380
D (mm)	-	750	915		1120		1240		1445	
Weight* (kg/m)	-	31	35	34	38	37	41	40	44	43

\*:Weight excluding the fan



# PROLINE DYNAMIC

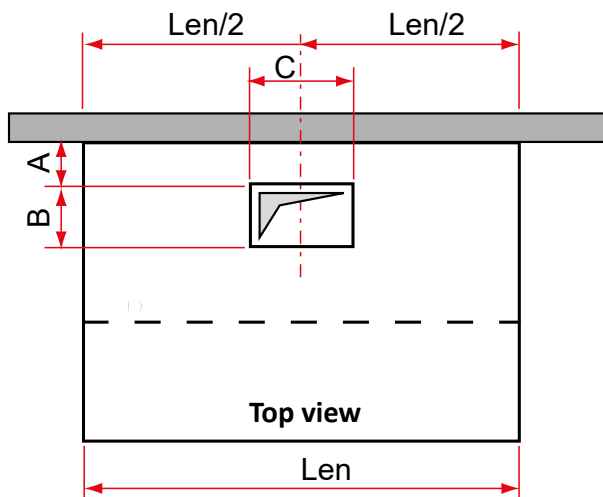
## SELECTION GRAPHS



## ELECTRIC SPECIFICATIONS

FANS	Voltage (V)	Speed (rpm)	Int. (A)	Power (W)	Freq. (Hz)	Class	IP	Cond. (mF)	Use Temperature (°C)	Variable drive	Weight (kg)
RE 7/7-4PM	Single phase 230	1260	2.4	300	50/60	F	55	8	-20/40	ALVIAIR 3L	10
RE 7/9-4PM	Single phase 230	1260	2.7	300	50/60	F	55	8	-20/40	ALVIAIR 3L	15
RE 7/10-4PM	Single phase 230	1320	3.15	420	50	F	55	12.5	-20/40	ALVIAIR 5L	15
RE 9/9-4PM	Single phase 230	1290	4.6	550	50/60	F	55	12.5	-20/40	ALVIAIR 5L	17
RE 9/9-6PM	Single phase 230	915	1.8	200	50	F	55	5	-20/40	ALVIAIR 3L	14
RE 9/10-4PM	Single phase 230	1413	5.9	600	50/60	F	55	16	-20/40	ALVIAIR 9L	17
MO 7/7-4PM	Single phase 230	1300	1.1	145	50	F	54	5	-20/45	ALVIAIR 3L	8
MO 7/10-4PM	Single phase 230	1300	2.3	300	50	F	54	6.3	-20/45	ALVIAIR 5L	18
MO 9/9-4PM	Single phase 230	1240	3.55	550	50	F	54	12.5	-20/45	ALVIAIR 5L	18
MO 9/9-6PM	Single phase 230	890	2	245	50	F	54	10	-20/45	ALVIAIR 3L	18

## FAN DISCHARGE POSITION



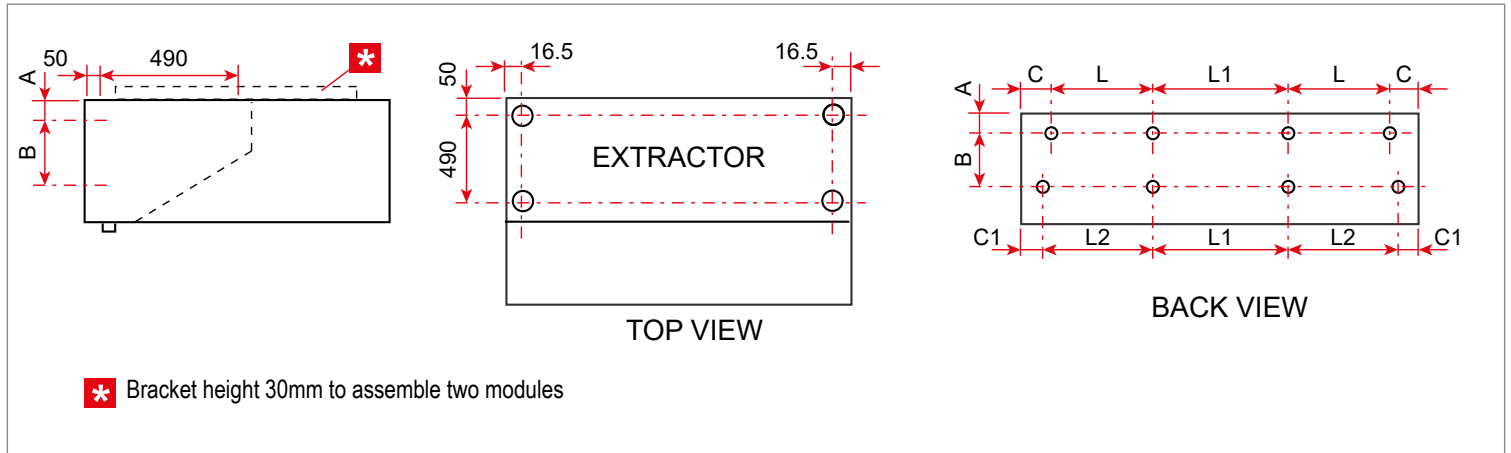
Len = hood length (max 3000mm recommended)

Fan	A (mm)	B (mm)	C (mm)
RE 7/7	122	208	232
RE 7/9	122	208	298
RE 7/10	65	262	298
RE 9/9	122	262	298
RE 9/10	122	260	300
MO 7/7	122	216	230
MO 7/10	65	262	298
MO 9/9	122	260	301



# PROLINE DYNAMIC

## FIXING POINTS



Length (mm)	PROLINE 38		PROLINE 53		C (mm)	C1 (mm)	L (mm)	L1 (mm)	L2 (mm)
	A (mm)	B (mm)	A (mm)	B (mm)					
1000							-	-	-
1500							699	-	715
2000	30	318	30	468	51	32.5	626	645	645
2500							793	811	811
3000							715	2x734	734

