



OPALINE

Dynamic Extractors / hoods H=530mm



VENTILATION OF PROFESSIONAL KITCHENS, A SPECIALIST AFFAIR.

OPALINE DYNAMIC

DESIGN / MANUFACTURE

| **The OPALINE range is single-block** from 1000 to 2500mm (3000mm single block available as an option). They have no visible fixings on the outer faces and in the extraction volume.

| **OPALINE hoods are available in two models:**

OPALINE T:

extractor height 530 / front face height = 380mm

OPALINE R:

extractor height 530 / front face height = 530mm

| **There is a support profile built into each end of the single block unit**, making it possible to suspend it from ØM8 threaded rods.

| **The production method used, with folds on all visible parts**, gives a finish that is free of burrs and protruding parts.

| **All visible parts are manufactured from AISI 304 austenitic stainless steel** (CN 18-10), brushed finish on both sides, 220 grade with PVC protection.

| **The design of the ends avoids all markings on the outer faces.** They are assembled using heat-welded pins and nuts.

| **Mesh filters** 398x498x25mm with stainless steel frame and handle, galvanised medium (flow of 1100m³/h per filter). **Optionally, full stainless steel filters** (flow of 1100m³/h per filter), **baffle filters** (flow of 600m³/h per filter) or **HE filter** (flow of 500m³/h). Stainless steel 398x498x25mm neutral plates.

| **Each single block unit is leak tight** and fitted with a G3/8 stainless steel purge plug in its lower part to drain off grease and condensates.

| Dynamic extractors and hoods are fitted with **direct drive motor-fans, compliant with the ErP 2015 directive.**

| **Easily removable**, the motor-fan is fixed using heat-welded pins and brackets.

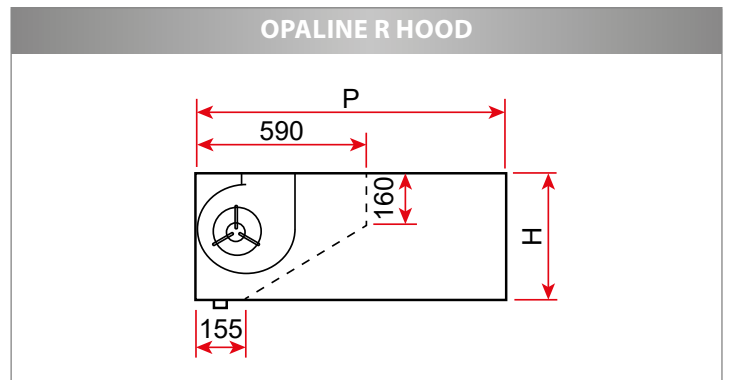
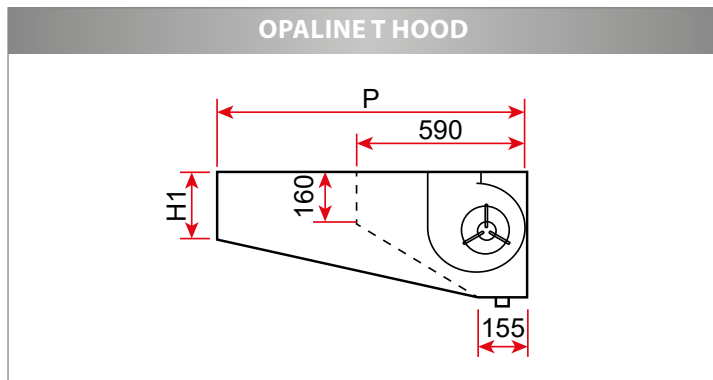
| **Fan position:**

- Standard: Mounted in the upper central position,
- On request: Mounted in the rear central position,
- Optionally: upper or rear offset position.

| **Caution:** 3000mm long hoods are composed of a 2000+1000mm module to be assembled on site. Single block 3000mm lengths are available as an option.

Note: To obtain correct efficiency, we recommend not exceeding a length of 3000mm.

DIMENSIONS / WEIGHT

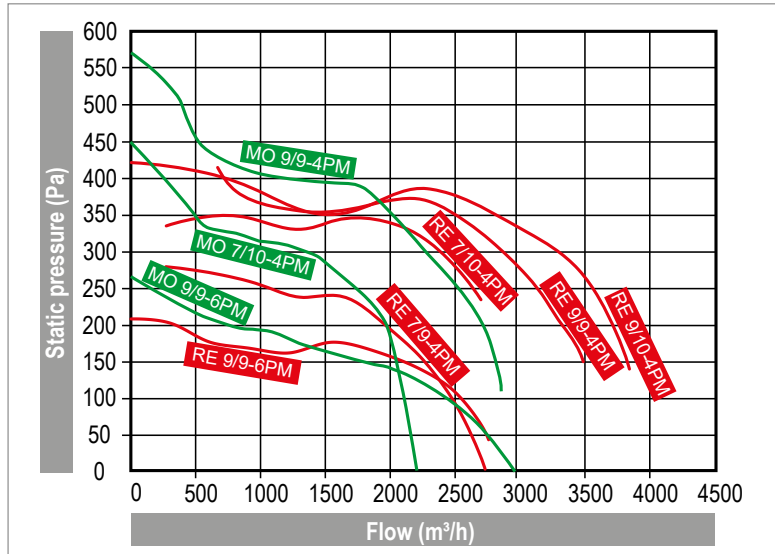


| OPALINE H=530 mm | | | | | | | | | | | |
|------------------|-----|-----|-----|------|-----|------|-----|------|-----|------|-----|
| Model | 06 | 09 | | 11 | | 13 | | 15 | | 17 | |
| | | R | T | R | T | R | T | R | T | R | T |
| H (mm) | 530 | 530 | 530 | 530 | 530 | 530 | 530 | 530 | 530 | 530 | 530 |
| H1 (mm) | - | - | 380 | - | 380 | - | 380 | - | 380 | - | 380 |
| D (mm) | 590 | 915 | | 1120 | | 1240 | | 1445 | | 1650 | |
| Weight* (kg/m) | 32 | 38 | 37 | 45 | 44 | 52 | 51 | 55 | 54 | 57 | 56 |

*:Weight excluding the fan

OPALINE DYNAMIC

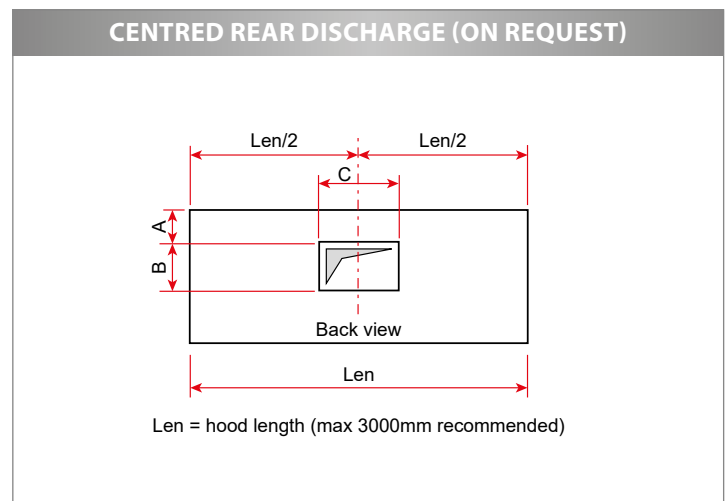
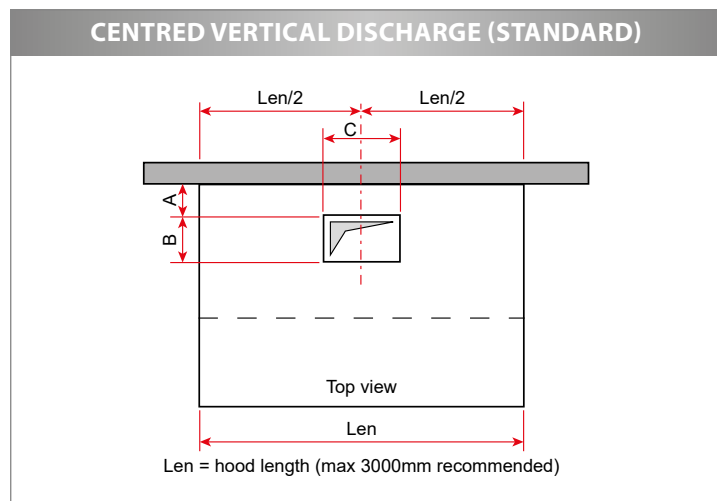
SELECTION GRAPHS



ELECTRIC SPECIFICATIONS

| FANS | Voltage (V) | Speed (rpm) | Int. (A) | Power (W) | Freq. (Hz) | Class | IP | Cond. (mF) | Use Temperature (°C) | Variable drive | Weight (kg) |
|-------------|------------------|-------------|----------|-----------|------------|-------|----|------------|----------------------|----------------|-------------|
| RE 7/9-4PM | Single phase 230 | 1260 | 2.7 | 300 | 50/60 | F | 55 | 8 | -20/40 | ALVIAIR 3L | 15 |
| RE 7/10-4PM | Single phase 230 | 1320 | 3.15 | 420 | 50 | F | 55 | 12.5 | -20/40 | ALVIAIR 5L | 15 |
| RE 9/9-4PM | Single phase 230 | 1290 | 4.6 | 550 | 50/60 | F | 55 | 12.5 | -20/40 | ALVIAIR 5L | 17 |
| RE 9/9-6PM | Single phase 230 | 915 | 1.8 | 200 | 50 | F | 55 | 5 | -20/40 | ALVIAIR 3L | 14 |
| RE 9/10-4PM | Single phase 230 | 1413 | 5.9 | 600 | 50/60 | F | 55 | 16 | -20/40 | ALVIAIR 9L | 17 |
| MO 7/10-4PM | Single phase 230 | 1300 | 2.3 | 300 | 50 | F | 54 | 6.3 | -20/45 | ALVIAIR 5L | 18 |
| MO 9/9-4PM | Single phase 230 | 1240 | 3.55 | 550 | 50 | F | 54 | 12.5 | -20/45 | ALVIAIR 5L | 18 |
| MO 9/9-6PM | Single phase 230 | 890 | 2 | 245 | 50 | F | 54 | 10 | -20/45 | ALVIAIR 3L | 18 |

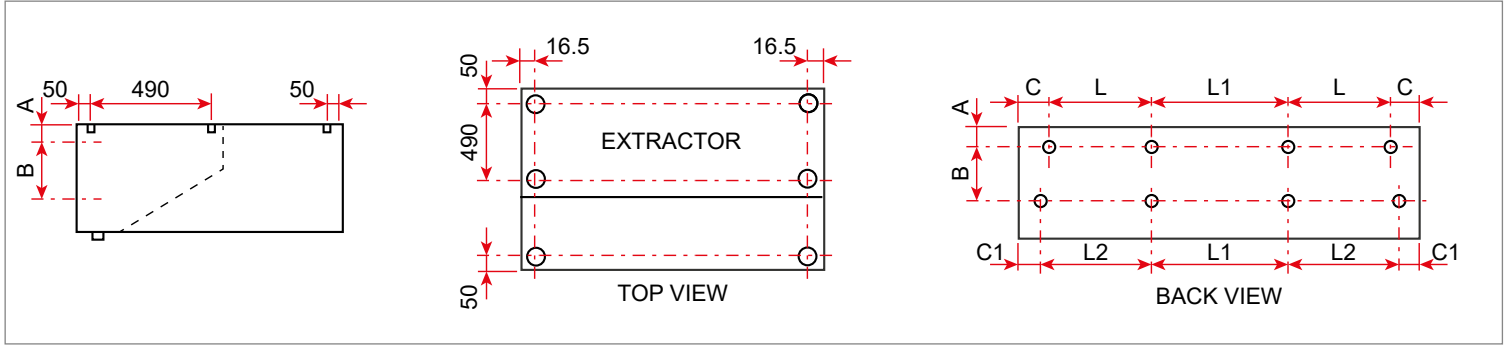
FAN DISCHARGE POSITION



| Fan | A (mm) | B (mm) | C (mm) |
|---------|--------|--------|--------|
| RE 7/9 | 122 | 208 | 298 |
| RE 7/10 | 65 | 262 | 298 |
| RE 9/9 | 122 | 262 | 298 |
| RE 9/10 | 122 | 260 | 300 |
| MO 7/10 | 65 | 262 | 298 |
| MO 9/9 | 122 | 260 | 301 |

OPALINE DYNAMIC

FIXING POINTS



| Length (mm) | OPALINE | | C (mm) | C1 (mm) | L (mm) | L1 (mm) | L2 (mm) |
|----------------|---------|--------|-----------|------------|-----------|------------|------------|
| | A (mm) | B (mm) | | | | | |
| 500 | 30 | 468 | 51 | 32.5 | - | - | - |
| 1000 | | | | | - | - | - |
| 1500 | | | | | 699 | - | 715 |
| 2000 | | | | | 626 | 645 | 645 |
| 2500 | | | | | 793 | 811 | 811 |
| 3000 | | | | | 715 | 2x734 | 734 |

