



INDULINE IDF
Negative pressure flow hood
H=530mm



VENTILATION OF PROFESSIONAL KITCHENS, A SPECIALIST AFFAIR.

INDULINE IDF

DESIGN / MANUFACTURE

The **INDULINE** range is **single-block**:

- from 1000 to 2500mm for wall mounted hoods (single block up to 3000mm possible as an option).
- from 1000 to 3000mm for central hoods.

Longer lengths are created by assembling single block units screwed together, with no visible fixings on the outer faces and in the extraction volume.

INDULINE IDF hoods are available at a height of 530 mm.

There is a support profile built into each end of the single block unit, making it possible to suspend it from ØM8 threaded rods.

The production method used, with folds on all visible parts, gives a finish that is free of burrs and protruding parts.

All visible parts are manufactured from AISI 304 austenitic stainless steel (CN 18-10), brushed finish on both sides, 220 grade with PVC protection.

The design of the ends avoids all markings on the outer faces. They are assembled using heat-welded pins and nuts.

Mesh filters 398x498x25mm with stainless steel frame and handle, galvanised medium (flow of 1100m³/h per filter). **Optionally, full stainless steel filters** (flow of 1100m³/h per filter), **baffle filters** (flow of 600m³/h per filter) or **HE filters** (flow of 500m³/h).

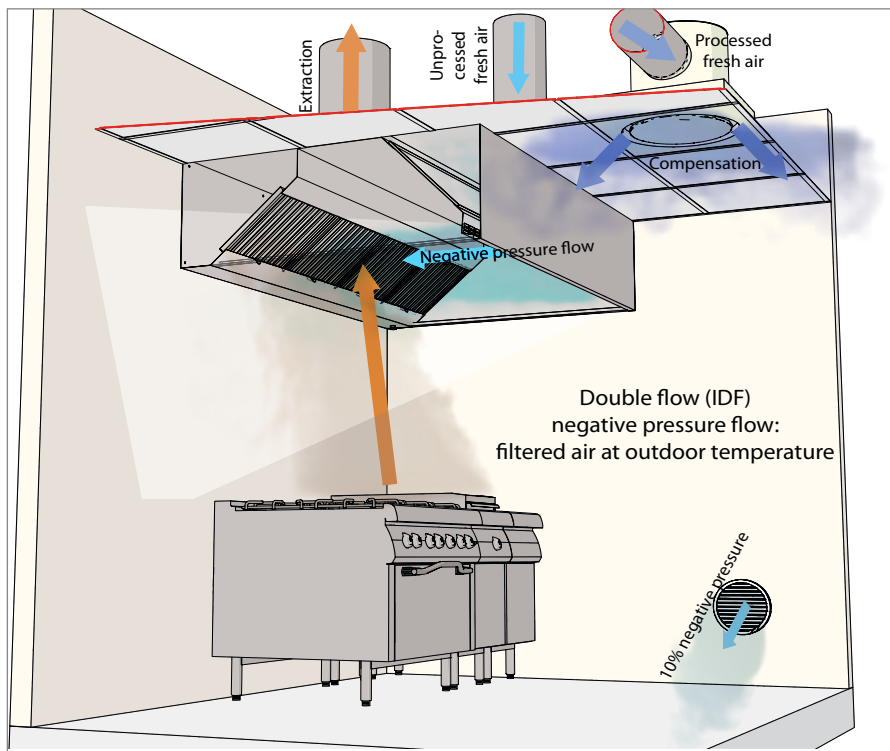
Each single block unit is fitted with a G3/8 stainless steel purge plug in its lower part to drain off grease and condensates.

The insulated negative pressure flow plenum in M1 foam, is fitted with an air flow regulation device in its lower part. Access to this plenum is made easy by **removable panels** making module assembly easier.

The negative pressure flow adjustment can be accessed without any dismantling.

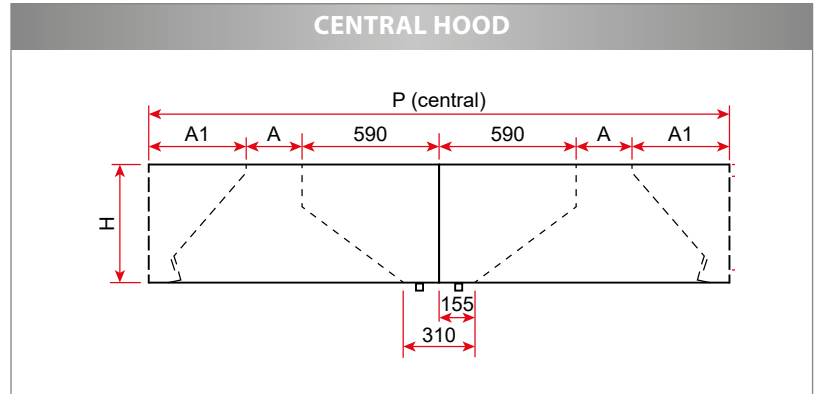
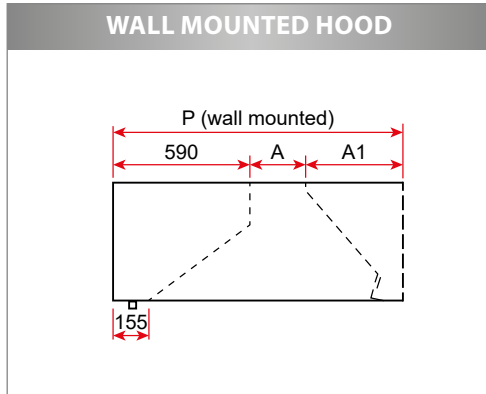
The central hoods are composed of two back to back elements with a central separator, to be assembled together using the supplied hardware.

PRINCIPLE DIAGRAM



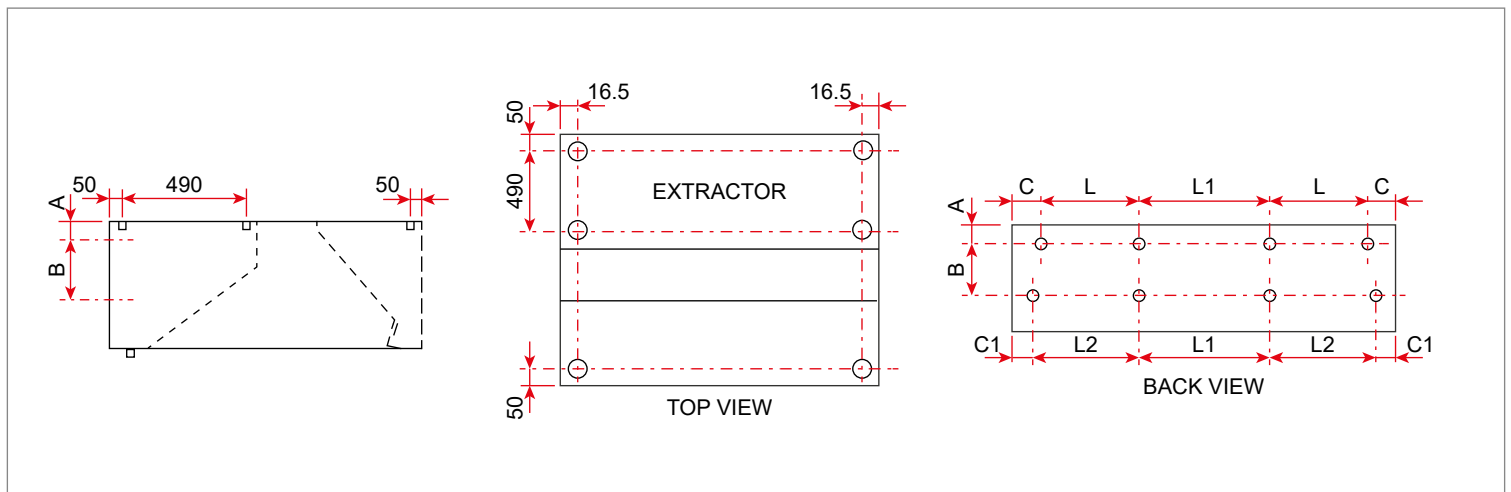
INDULINE IDF

DIMENSIONS / WEIGHT



INDULINE IDF H=530 mm								
Model	wall mounted				central			
	11	13	15	17	22	26	30	34
H (mm)	530	530	530	530	530	530	530	530
A (mm)	200	200	405	610	200	200	405	610
A1 (mm)	330	450	450	450	330	450	450	450
D (mm)	1120	1240	1445	1650	2240	2480	2890	3300
Weight (kg/m)	53	58	64	70	106	116	128	140

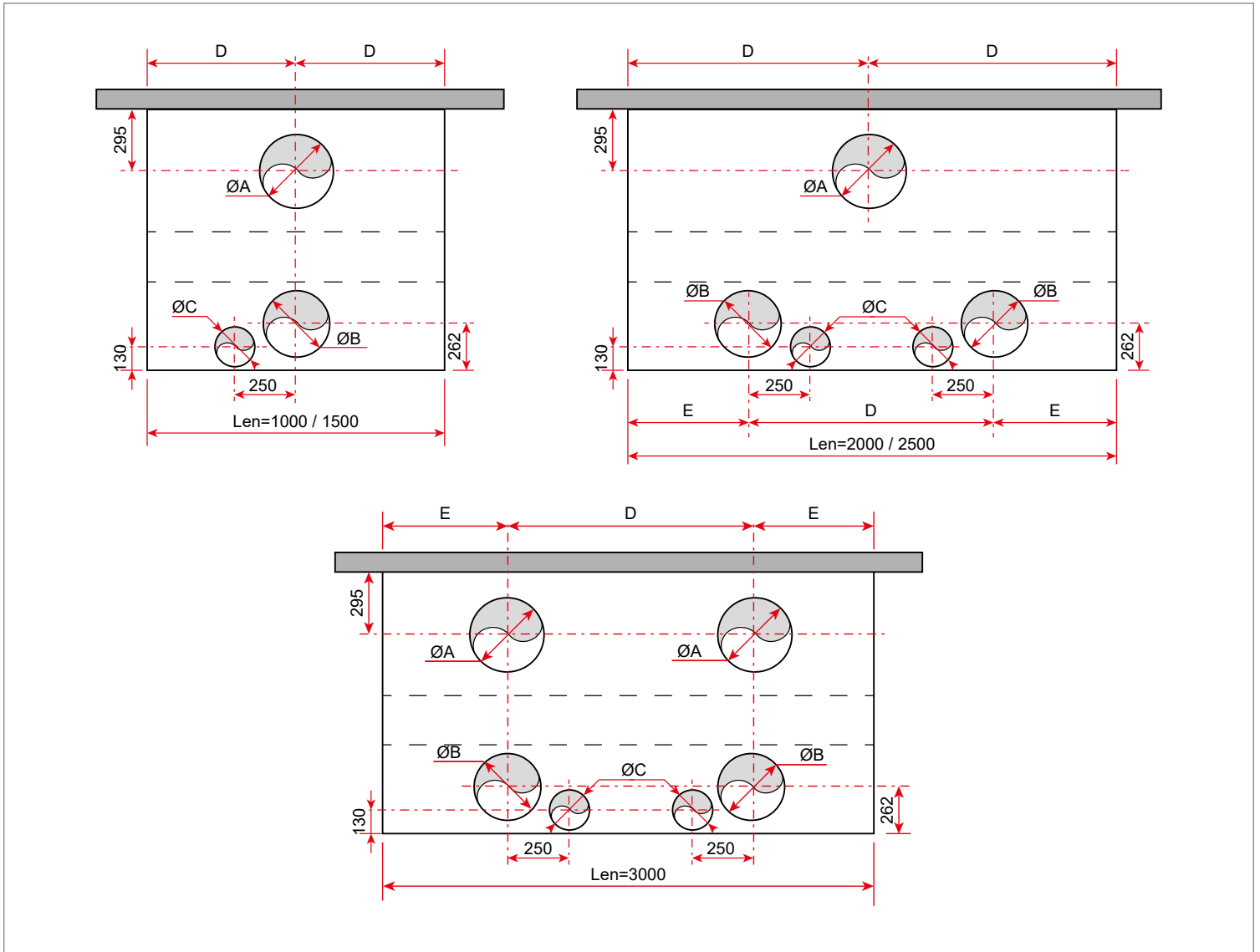
FIXING POINTS



Length (mm)	INDULINE		C (mm)	C1 (mm)	L (mm)	L1 (mm)	L2 (mm)
	A (mm)	B (mm)					
1000					-	-	-
1500					699	-	715
2000	30	468	51	32.5	626	645	645
2500					793	811	811
3000					715	2x734	734

INDULINE IDF

CONNECTIONS: Diameter and recommended number of hoops



Model	11 - 13 - 15 - 17			11	13 - 15 - 17		
Length (mm)	ØA	C	D	ØB	E	ØB	E
1070	315	500	-	315	217	315	262
1570	355	750	-	315		355	
2070	400	1000	500	315		315	
2570	400	1250	625	315		315	
3070*	355	1500	750	315		355	

ØA: recommended extraction diameter
 ØB: recommended negative pressure flow diameter
 - for depth 1120mm: ØB max 315
 - for depth 1240mm, 1445mm, 1650mm : ØB max 355
 *: Length 3070 mm single block
 Drilling and connection hoops as an option