



ISO 9001  
BUREAU VERITAS  
Certification



# ALVITRANS

## Transmission ventilation unit



VENTILATION OF PROFESSIONAL KITCHENS, A SPECIALIST AFFAIR.

# ALVITRANS

## DESIGN / MANUFACTURE

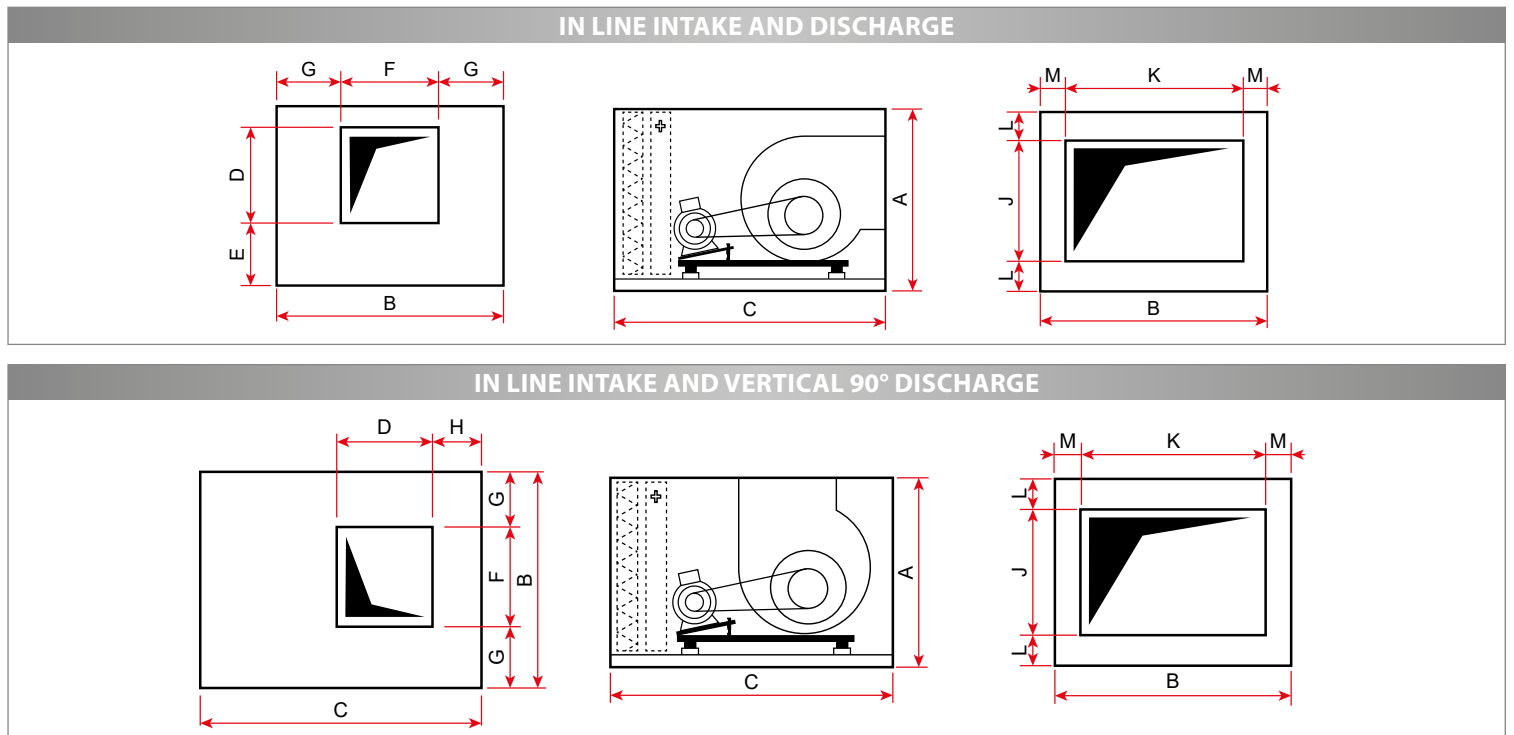
**The casing is composed of self-supporting galvanised steel panels.** The inspection hatch is fixed using locks and handles, providing access to the motor-fan, weatherproofing is provided by a seal. Single insulation or optional double skin insulation.

The motor-fan unit is separated from the casing using vibration pads and a seal at the ventilation discharge.

**As standard, the box is available with in line and straight "intake and discharge"** (vertical fan discharge and/or left services on request). The ALVITRANS 4500 - 5000 - 5500 are mounted on a chassis.

- Double action galvanised steel inlet fan, available in two ranges:
  - Low pressure: max total load loss = 600Pa.
  - Medium pressure: max total load loss = 1500Pa.
- IP55 foot-mounted motor with PTO, class F, mounted on a chassis:
  - three-phased 230/400V, 1 speed, high efficiency IE2.
  - Three-phased 400V, 2 Dalhandler speeds (1/2 ratio) or separate coils (2/3 - 1/3 ratio). Only when running smoke extraction (air influx).
- Pulley and belt drive, variable drive pulley for motor powers less than or equal to 1.5kW.

## DIMENSIONS / WEIGHT



ALVITRANS	Size	A (mm)	B (mm)	C* (mm)	D (mm)	E (mm)	F (mm)	G (mm)	H (mm)	J (mm)	K (mm)	L (mm)	M (mm)	Weight** (kg)	
Low pressure	7	T1	520	670	900	188	189	212	229	172	464	550	28	60	40
	9	T1	520	670	900	242	196	278	196	180	464	550	28	60	43
	10	T2	720	840	1080	269	229	311	265	209	664	680	28	80	78
	12	T2	720	840	1080	321	256	375	233	235	664	680	28	80	84
	15	T3	1080	1080	1340	384	292	451	315	260	1024	860	28	110	118
Medium pressure	18	T3	1080	1080	1340	458	359	537	272	316	1024	860	28	110	130
	2500	T2	720	840	1080	302	231	302	269	191	664	680	28	80	80
	3500	T3	1080	1080	1340	433	288	433	324	249	1024	860	28	110	124
	4500	T4	1420	1340	1700	569	487	569	386	300	1284	1040	28	150	236
	5500	T4	1420	1340	1700	715	539	715	313	352	1284	1040	28	150	273

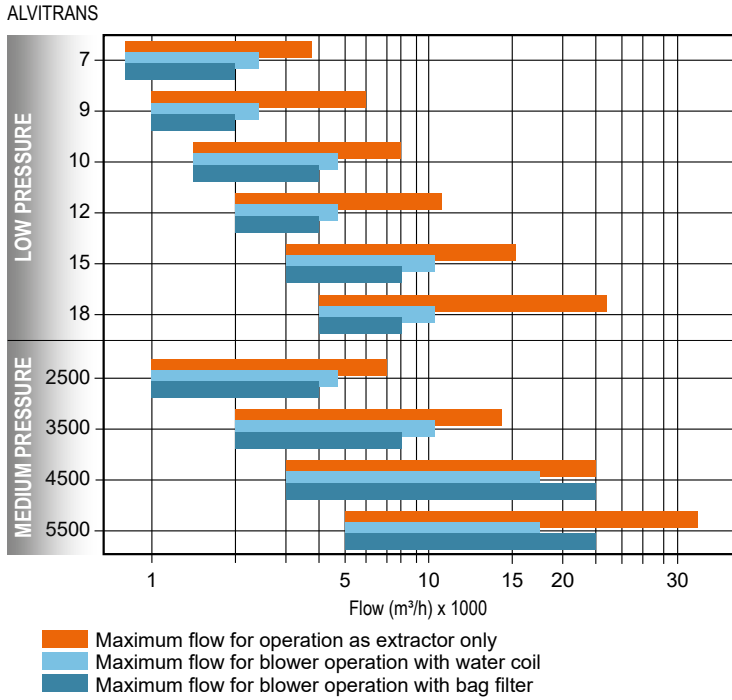
\* Identical with the synthetic filter option and hot water coil

\*\* Weight not including the motor, filter, hot coil, insulation

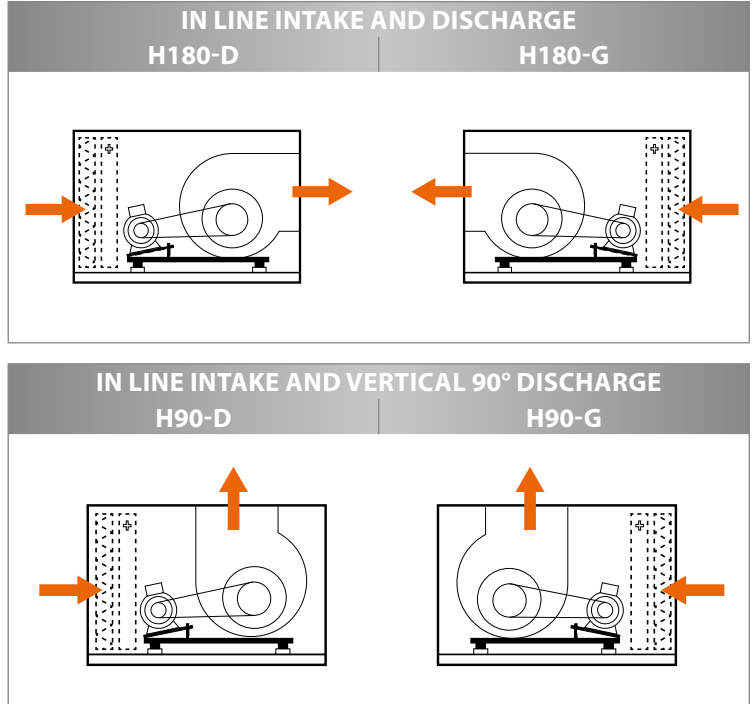


# ALVITRANS

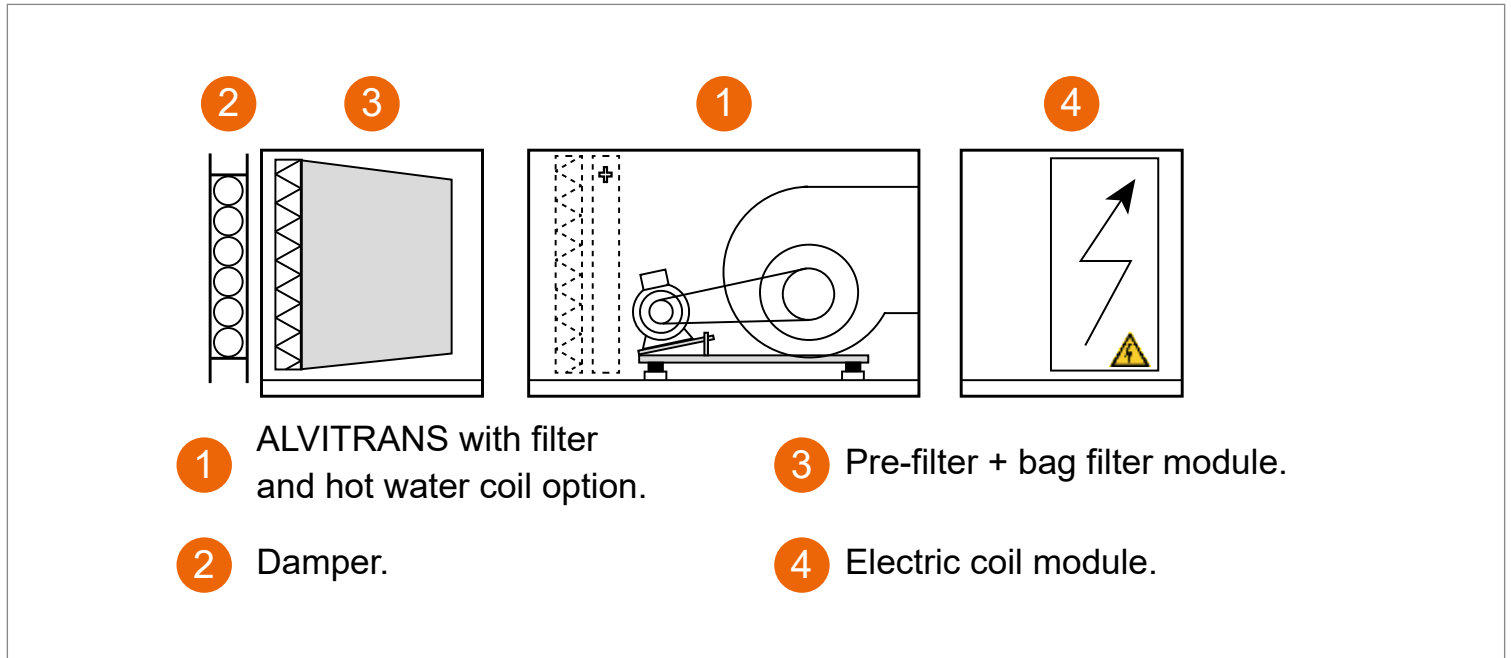
## QUICK SELECTION



## ORIENTATIONS



## POSSIBLE COMBINATIONS



# ALVITRANS

## MOTOR SPECIFICATIONS

1 SPEED MOTOR - THREE-PHASED - 4 POLES (1500rpm) - 50HZ									
Power (kW)	Voltage (V)	Rotation speed (Rpm)	Int. (A)	ID/IN	Output (%)	cos $\Phi$	Type	Al.	Weight (kg)
0.37	Tri 230/400	1380	1.84/1.06	4.3	68	0.74	71	14	8
0.75	Tri 230/400	1410	2.83/1.63	6	79.8	0.83	80	19	13.5
1.10	Tri 230/400	1450	4.17/2.40	6.5	81.8	0.81	90S/L	24	19
1.50	Tri 230/400	1440	5.67/3.26	6.3	83	0.8	90S/L	24	22
2.20	Tri 230/400	1435	8.07/4.64	7	84.5	0.81	100L	28	30.5
3.00	Tri 230/400	1420	10.7/6.17	6.5	85.6	0.82	100L	28	33
4.00	Tri 230/400	1440	14.1/8.12	6.6	86.7	0.82	112M	28	42
5.50	Tri 230/400	1460	18.3/10.5	7.3	88.1	0.86	132S	38	60
7.50	Tri 230/400	1455	24.5/14.1	7.2	89	0.86	132M	38	62
9.20	Tri 230/400	1455	30.1/17.3	7.7	89.5	0.86	132M	38	75
11.00	Tri 400/690	1470	21.2/12.3	6.4	90.2	0.83	160M	42	105
15.00	Tri 400/690	1465	28.7/16.6	6.2	91	0.83	160L	42	125

2 SPEED MOTOR - THREE-PHASED - DALHANDLER 4/8 POLES (1500/750rpm) - 50HZ														
Power (kW)	Voltage (V)	Rotation speed (Rpm)		Int. (A)		ID/IN		Output (%)		cos $\Phi$		Type	Al.	Weight (kg)
		HS	LS	HS	LS	HS	LS	HS	LS	HS	LS			
0.6/0.15	Tri 400	1440	710	1.76	0.76	5.5	3.1	68.5	46	0.72	0.62	80	19	14.8
0.8/0.2	Tri 400	1415	690	1.99	0.884	4.7	2.7	70	49.5	0.83	0.66	80	19	14.8
1.2/0.3	Tri 400	1430	705	2.92	1.29	5.5	3.1	76	57	0.78	0.59	90	24	21.1
1.6/0.4	Tri 400	1420	700	3.8	1.69	5.7	3.2	77	59	0.79	0.58	90L	24	23.3
2.2/0.55	Tri 400	1430	700	4.84	2	6.9	3.5	80	65	0.82	0.61	100L	28	29.9
2.8/0.7	Tri 400	1410	690	6.01	2.41	6	3.6	80	66.5	0.84	0.63	100	28	32.3
3.8/1	Tri 400	1440	710	8.26	2.75	7	4	80	74	0.83	0.71	112M	28	45.8
5/1.3	Tri 400	1440	730	10.4	3.5	8.5	6.2	80	76.5	0.87	0.7	132S	38	66.9
7.2/1.8	Tri 400	1440	725	14.4	4.64	8.5	6.2	83	80	0.87	0.7	132M	38	82.7
11/3	Tri 400	1455	725	21.7	7	7	4.3	86	82.5	0.85	0.75	160M	42	119
14/3.5	Tri 400	1455	725	26.5	8.45	7.2	4.2	86.5	83	0.88	0.72	160L	42	135
17/4.3	Tri 400	1475	730	33.4	12.7	8	4	89.5	84.2	0.82	0.58	180M	48	162

2 SPEED MOTOR - THREE-PHASED - SEPARATE COILS 4/6 POLES (1500/1000rpm) - 50HZ														
Power (kW)	Voltage (V)	Rotation speed (Rpm)		Int. (A)		ID/IN		Output (%)		cos $\Phi$		Type	Al.	Weight (kg)
		HS	LS	HS	LS	HS	LS	HS	LS	HS	LS			
0.55/0.20	Tri 400	1450	970	1.75	1.05	5	3.7	65.7	46	0.69	0.6	80	19	15.6
0.75/0.25	Tri 400	1430	970	1.94	1.32	4.7	3.9	68	48	0.82	0.57	80	19	14
1.1/0.3	Tri 400	1440	970	2.92	1.51	5.4	5.1	72.5	53	0.75	0.54	90S	24	21.3
1.5/0.37	Tri 400	1440	970	3.65	1.62	5.5	4.5	75	55	0.79	0.6	90L	24	23.5
2.2/0.7	Tri 400	1430	970	4.91	2.48	6	5.5	77	68	0.84	0.6	100L	28	31.4
3/1	Tri 400	1460	985	6.85	3.86	7.6	6.2	81	68	0.78	0.55	112M	28	46
4.5/1.5	Tri 400	1465	990	10.2	5.38	7.5	7	82	76	0.78	0.53	132S	38	64.2
6/2.2	Tri 400	1465	990	13.7	6.96	7.8	7.4	82	80	0.78	0.57	132M	38	72.8
10/3.3	Tri 400	1475	975	22	8.74	7	4	87	79	0.76	0.69	160M	42	121
14/4.5	Tri 400	1470	975	28	11	7	4.5	88	79	0.82	0.75	160L	42	139
16/6.5	Tri 400	1465	980	28.4	12.5	8.5	7.6	88	86.3	0.85	0.87	180M	48	195

